

CE Lighting

Our AR111 LED Track Light is ideally applied in all those places which need special attention to details, visual comfort and light customization: museums, boutiques, showrooms, shops, malls and department stores.

- Simple style and compact design
- Adjustable spotlights
- Rotation around the vertical axis 360°

Main Features:

Lampholder type: G5.3

Input: 230V AC

Mounting: Track Mount

Insulation type: Class I, Must earth

IP rating: IP20

Lamp Type: G53 AR111 Max 50W

Control Gear: Internal electronic transformer 230V 50W

Surface Finish: White/Black/Grey Powder Coating

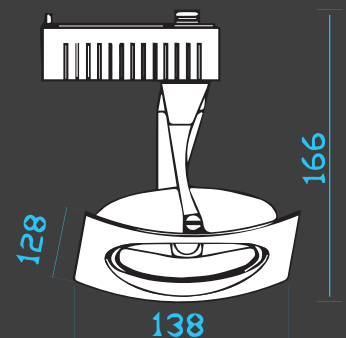
Adjustable direction: Gimbal

Installation Accessories: W/2 Wire Track Adaptor

Wiring: Connect to Track W/Adaptor

Main Material: Aluminium

Minimum Distance to Illuminated Object: 0.5mzz



Order Information

Inner Box: Each one in white box, 17(L)x9(W)x19(H)cm

Master Carton: 20pcs in a carton, 47(L)x35.5(W)x40.5(H)cm,

Each carton: 0.068 CBM

High quality, energy efficient white LED light with AR111.

CE Lighting Limited

810 Mandarin Court, Warrington, WA1 1GG, UK

www.celighting.co.uk info@celighting.co.uk

Registered in England & Wales Reg No: 8179777

