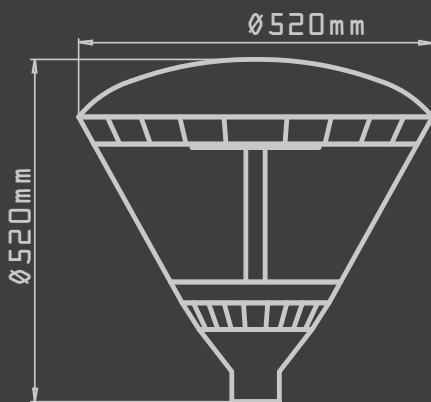


CE Lighting

Our **Boulevard LED** is manufactured in the EU, offering the highest quality components and extreme economical conditions with minimalist design. It provides ideal solutions for public car parks, retail parks, parkways, walkways and other public areas.

Product Features:

- Solid, corrosion-free aluminium foot
- Shockproof (IK09) polycarbonate lampshade
- IP65 protection
- Simple to install lamp body
- Easy to change gear tray
- Recommended height is between 3m-5m
- 18W or 36W optical modules available
- RELUX data available
- Electrical safety class: I.
- Power factor: >0.95
- Weight: 8.5 kg
- THD: >0.15
- Available in RAL colours
- Overcurrent protection (fuse) and overvoltage protection on request



High quality, energy efficient LED streetlight.



CE Lighting Limited
810 Mandarin Court, Warrington, WA1 1GG, UK
www.celighting.co.uk info@celighting.co.uk
Registered in England & Wales Reg No: 8179777