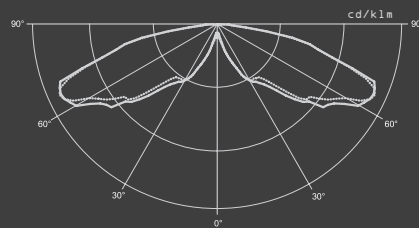
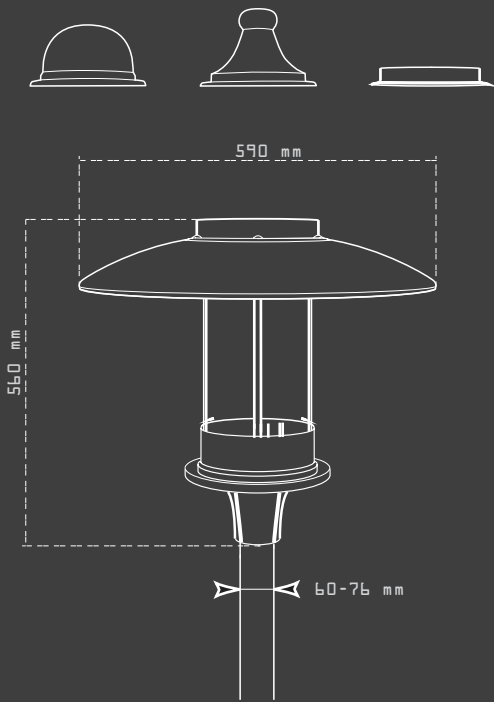




# CE Lighting

Our Gloria LED Streetlight Lamp offers economical lighting with an increased aesthetic aspect for fields with pedestrian traffic or, possibly, less demanding fields with vehicular traffic. Through its neutral design, it offers ideal lighting solution for gardens, parks, walkways, squares, small-sized car parks, industrial outdoor facilities and other fields of similar character.



## Product features:

- Solid, corrosion-free cast aluminium foot, with a cylinder shaped lampshade, a steel plate umbrella.
- The lamp cover is made of clear shockproof (IK09) polycarbonate.
- The IP 65 protection is ensured by the shape-preserving silicone rubber gasket.
- The simple-to-install body contains all the electrical fittings necessary for its operation, in a separate easy-to-change gear tray.
- The recommended height is between 3m-5m.
- The luminaire can be fixed on post heads of  $\varnothing$  50-76 mm with 4 socket screws.
- Recommended light sources to the luminaire: ParkLED optical module available 18W or 36W.
- Matching post available on request.
- Available in any colour of your choice (RAL).



High quality, energy efficient LED streetlight.



CE Lighting Limited  
 810 Mandarin Court, Warrington, WA1 1GG, UK  
[www.celighting.co.uk](http://www.celighting.co.uk) [info@celighting.co.uk](mailto:info@celighting.co.uk)  
 Registered in England & Wales Reg No: 8179777